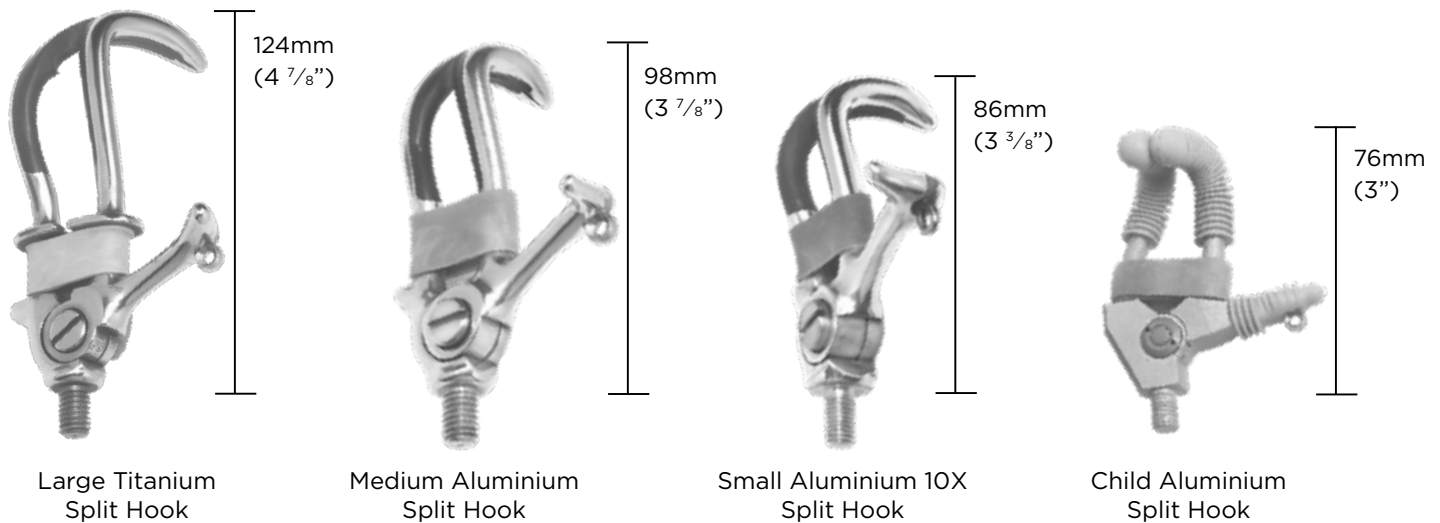


# Functional Devices - Split Hooks and Spare Parts

## Split Hooks Technical Information - Hook lengths

Split hook length is measured from the top of the fingers to the base of the hook. This measurement does not include the threaded Stem.



**Note:**

- Adult hooks are supplied with standard UK operating cord connection ring.
- For hooks with bonded jaw linings a repair service is available. Order by adding **EX** to part number e.g. NHD0003EX. Contact your local supplier for return details.
- A full range of adapter plates are available. Please see page 138.



### Large Split Hook

Body-powered split hooks for precise object handling, and canted grip surfaces for dexterity. The large is available in three materials - titanium, stainless steel or aluminium - and selection is based on the user's strength and weight requirements. Grip force capability is regulated by adding or removing the supplied rubber bands.

Titanium (5XTi)					
Part Number	Description	Left/Right	Thread	Weight	Material
NHD0003T	Large Split Hook	Left	3/8" BSW	120g (4 1/5 oz)	Titanium
NHD0004T	Large Split Hook	Right	3/8" BSW	120g (4 1/5 oz)	Titanium
Stainless Steel (5X)					
Part Number	Description	Left/Right	Thread	Weight	Material
NHD0003	Large Split Hook	Left	3/8" BSW	209g (7 2/5 oz)	Stainless Steel
NHD0004	Large Split Hook	Right	3/8" BSW	209g (7 2/5 oz)	Stainless Steel
Aluminium (5XA)					
Part Number	Description	Left/Right	Thread	Weight	Material
NHD0001	Large Split Hook	Left	3/8" BSW	92g (3 1/5 oz)	Aluminium
NHD0002	Large Split Hook	Right	3/8" BSW	92g (3 1/5 oz)	Aluminium



**Medium Split Hook**

Body-powered, medium split hook for precise object handling, constructed using durable aluminium and features canted grip surfaces for dexterity. Grip force capability is regulated by adding or removing the supplied rubber bands.

Part Number	Description	Left/Right	Thread	Weight
NHD005	Medium Aluminium Split Hook	Left	5/16" BSF	85g (3oz)
NHD006	Medium Aluminium Split Hook	Right	5/16" BSF	85g (3oz)



**Small Split Hook**

Body-powered, small split hook for precise object handling, constructed using durable aluminium and features canted grip surfaces for dexterity. Grip force capability is regulated by adding or removing the supplied rubber bands.

Part Number	Description	Left/Right	Thread	Weight
NHD0007	Small Aluminium Split Hook	Left	5/16" BSF	68.5g (2 1/5 oz)
NHD0008	Small Aluminium Split Hook	Right	5/16" BSF	68.5g (2 1/5 oz)



**Child's Split Hook**

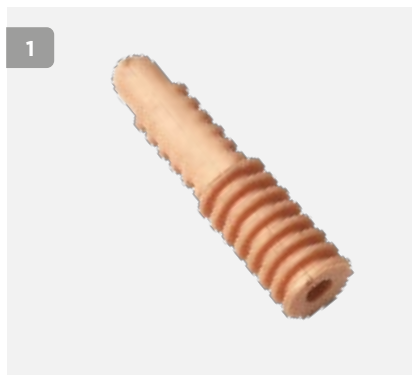
Small split hook with full round polymer covers for efficient handling of objects. Constructed using durable aluminium, and grip force capability is regulated by adding or removing the supplied rubber bands.

Part Number	Description	Left/Right	Thread	Weight
B05157	Child's Aluminium Split Hook	Left	5/16" BSF	56g (2 oz)
B05158	Child's Aluminium Split Hook	Right	5/16" BSF	56g (2 oz)

## Functional Devices - Split Hooks and Spare Parts

### Jaw Covers for Child's Split Hook (BO5157 & BO5158)

Replacement polymer covers for the child's split hook.



Part Number	Description	Supplied
1 B19464	Half Round Jaw Cover	Each
1a B19572	Full Round Jaw Cover	Each



### Rubber Bands

Spare rubber bands and rubber rings for altering the tension of split hook functionality, thereby adjusting the grip force capability.

Part Number	Description	Supplied
B11470	Rubber Bands	Pack of Ten



### Rubber Tube Lining

A protective cover which can be added to split hooks to provide a more compliant grip. Can be cut to size.

Part Number	Description	Supplied
NRB0050	1/2" Rubber Tube Lining	Per Metre

**Note:** A full range of adapter plates are available. Please see page 138.  
Thread locking compound must be used when assembling adapters to functional devices.