



S-Charge System

S-Charge System

The S-Charge System is a user friendly, flexible, internal battery system with an OLED display and a magnetic charger, that is fitted into a prosthetic forearm. This allows the user to easily activate, deactivate and charge their prosthesis whilst confidently monitoring the power status during use.

Key System Features



3.5mm low profile batteries require minimal space in the forearm



2, 3 or 4 flexible S-Cell batteries can be accommodated



S-Cells provide up to 1100, 1650 or 2200mAh to the terminal device



Fully charged within 4 hours



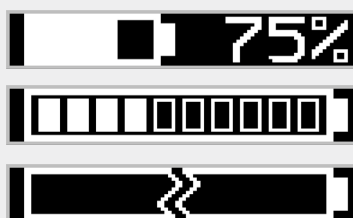
Easy-release magnetic charger



10 language options



Flexible configuration as the hub can be placed anywhere in the forearm



OLED display shows real-time battery life icons



Simple two-button operation to activate and select modes

System Components

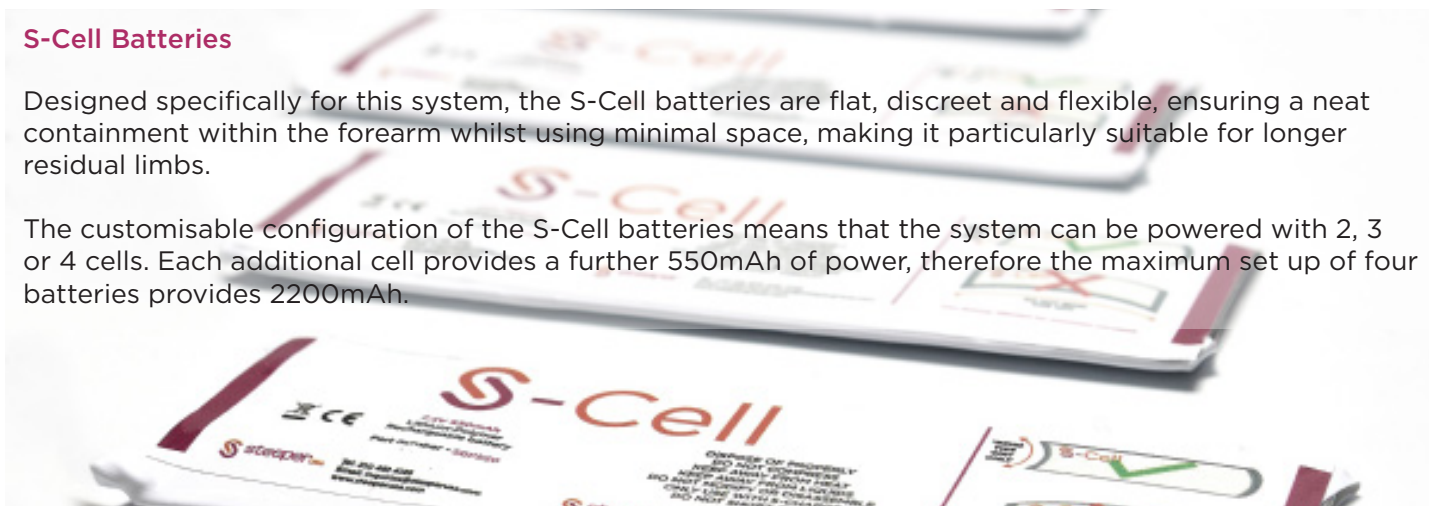
The core elements to the S-Charge System are the batteries, the hub and the display. The full system includes:

- S-Cell batteries x 4
- Display x 1
- Hub x 1
- Magnetic wall charger with UK, US, EU, AUS mains adapters x 1
- Power connector cable x 1
- EQD connector cable x 1 (Note: If a short wrist connector cable is required, please order part number CBBHA72 separately and in addition to the S-Charge System.)
- Dummies, mounting frames and fitting guides for installation

S-Cell Batteries

Designed specifically for this system, the S-Cell batteries are flat, discreet and flexible, ensuring a neat containment within the forearm whilst using minimal space, making it particularly suitable for longer residual limbs.

The customisable configuration of the S-Cell batteries means that the system can be powered with 2, 3 or 4 cells. Each additional cell provides a further 550mAh of power, therefore the maximum set up of four batteries provides 2200mAh.



Important note: only S-Cell batteries can be used with the S-Charge System.

The Hub

The hub is the central component of the S-Charge System with both the display and the batteries connecting to it.

The hub also contains the battery charge circuit and similarly to the S-Cell batteries, the hub can be configured to be fitted in any position within the socket, enabling the whole system to be installed easily and discreetly.



The Display

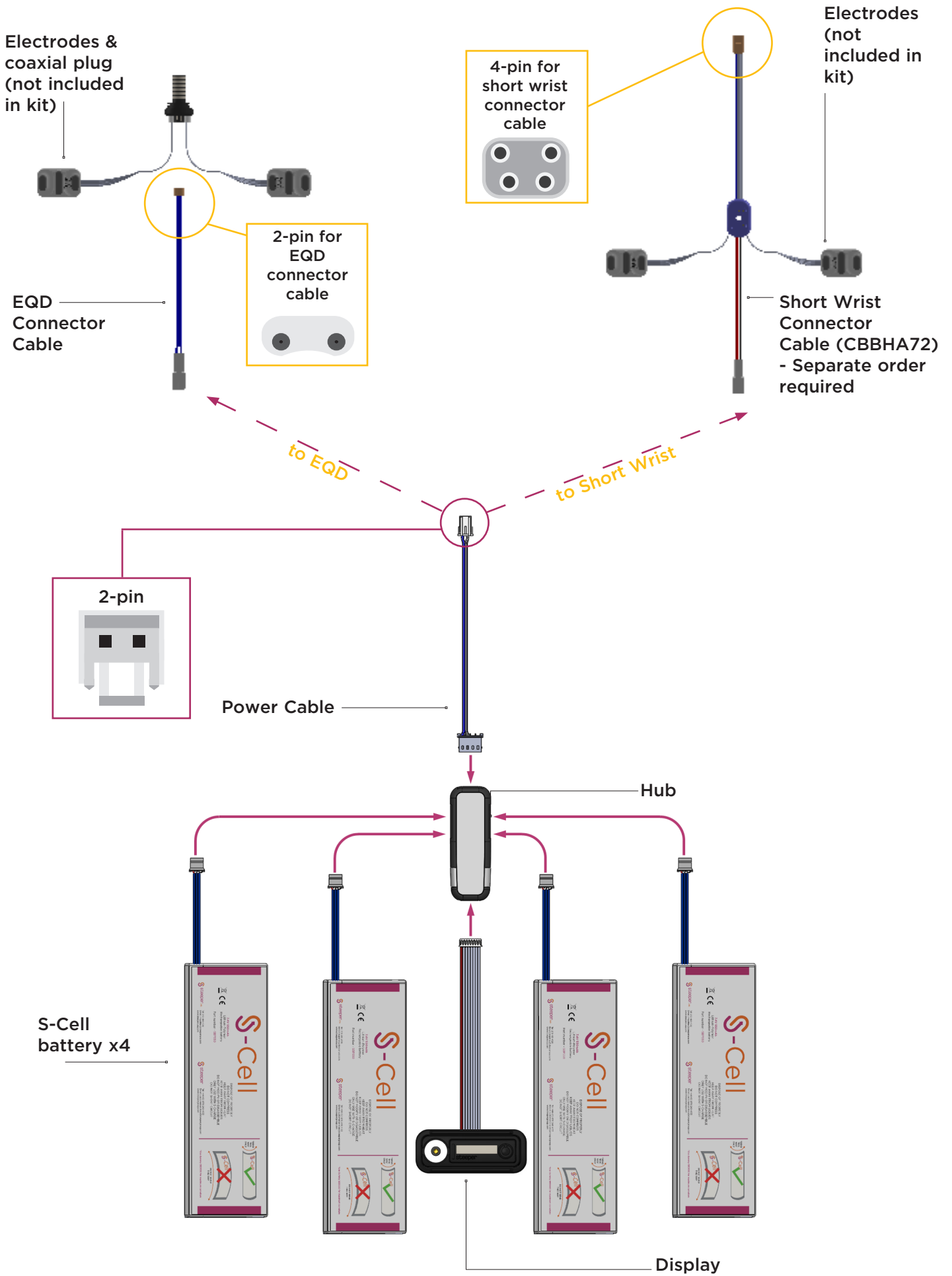
With 10 different languages to choose from, the low profile, OLED display can be easily configured to suit the needs of each individual user.

With real-time battery life icons, the digital display provides increased feedback to the user, enabling them to monitor their power usage and receive further alerts when the battery power drops below 10%. A further symbol also appears when there is a charging fault.

Sitting within a raised mounting frame, the display is protected from accidental activation and being caught on clothes or accessories.



Sample Set Up (to EQD & Short Wrist)



Compatibility

The S-Charge System is compatible with all powered upper limb systems with equivalent power rating (8.4V at full battery charge, 7.0V at low battery cut off, 5.0A peak current). Please contact your local service centre to confirm compatible prosthetic hand systems.

Battery note: The S-Charge System is only compatible with Steeper S-Cell batteries.

Technical Information

S-Cell Battery

Size (each)	128mm x 42mm x 3.5mm
Mass	36 grams
Capacity	Typical: 550mAh
Voltage	Nominal 7.4V, Min 7.0V, Max 8.4V
Current	Max 2.75A each

Hub

Length	58mm
Width	20mm
Thickness	10mm

Display & Mounting Frame

Size	50mm x 20mm x 7mm
------	-------------------

Ordering Information

S-Charge System: SC2200

Full S-Charge System to include:

- S-Cell batteries x 4
- Display x 1
- Hub x 1
- Magnetic wall charger with UK, US, EU, AUS mains adapters x 1
- Power connector cable x 1
- EQD connector cable x 1
- Lamination dummies, mounting frames x 3, foam gaskets x 3 and alignment stickers x 2



Spare Parts	Part Number
S-Cell Batteries Batteries (4)	SCBP2200
S-Charge Hub Kit Hub (1), power connector cable (1), EQD connector cable (1)	SCHUB
S-Charge Display Kit Display (1), mounting frames (3), mounting frame gaskets (3) and alignment stickers (2)	SCDIS
S-Charge Wall Charger Wall charger including mains adapters (UK, US, EU, AUS) (1)	SWC2200
S-Charge Dummy Kit S-Cell lamination dummies (4), Hub dummy (1), Display dummy (1), alignment stickers (2)	SCDKIT
S-Charge Mounting Frame Kit Mounting frames (3), mounting frame gaskets (3), alignment stickers (2)	SCMFKIT

For more information on the S-Charge System or to place an order please contact customerservices@steepergroup.com or call +44 (0) 113 270 4841.

A man with glasses and a prosthetic left arm is sitting at a desk. He is wearing a grey zip-up jacket and blue jeans. He has a silver watch on his right wrist. The background shows a desk with some papers and a window.

14:17

Friday 19th January

was the moment when **Richard** experienced the very latest in prosthetic battery technology. Hidden within his prosthetic forearm, Richard's S-Cell batteries work in perfect harmony with the hub and outer digital display to provide him with the most streamlined, responsive and informative battery system he has ever used.

Steeper Group
Unit 3, Stourton Link
Intermezzo Drive
Leeds
LS10 1DF

Tel: +44 (0) 113 270 4841
Email: enquiries@steepergroup.com

www.steepergroup.com

STPPRO51 Issue 2