

NOHP3 / NKHP3

The polycentric construction of these knees provides a high degree of geometric stance stability, by means of their long side links, and a smooth pneumatically controlled swing phase. The High Performance cylinder, with independent adjustment of both flexion and extension, allows them to be used for patients of Mobility Class 3.

The NOHP3 is supplied with a male pyramid adapter to allow angular adjustment, whilst the NKHP3 comes with a laminating adapter, complete with adjustable alignment discs, making it particularly suitable for patients with very long residual limbs.

CES OSS K03: Read the NOHP3/NKHP3 clinical evaluation summary on the Steeper website.

NOHP3



NKHP3



Features and Benefits

- Polycentric construction provides improved ground clearance in swing phase
- Transition into swing phase adjustable by means of stance wedges
- Pneumatic cylinder with independent adjustment of flexion and extension
- Unlimited rotation and 5mm of shift in any direction are possible with either version, as is 10° of angular adjustment, this being achieved on the NKHP3 by means of a pair of wedge shaped rotatable discs



Unlimited rotation and 5mm of shift



High knee flexion angle 150°

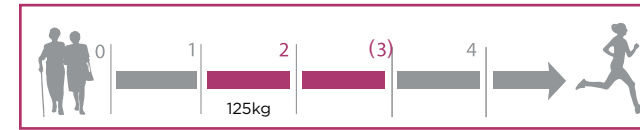


Pneumatic swing phase control

Ordering Information

Trial Period - There is no trial period on this knee, however please contact Customer Services or a Steeper Product Manager to enquire.

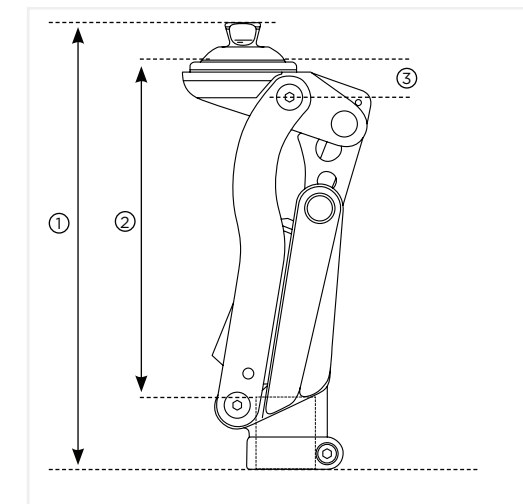
Mobility Class & Weight Limit



Part Number	Description
NOHP3	Pneumatic knee joint with pyramid adapter
NKHP3	Pneumatic knee joint with laminating adapter

Technical Information

	NOHP3	NKHP3
Material	Aluminium	Aluminium
Amputation Level	Transfemoral	Knee disarticulation, transfemoral
Total Fitted Height (1)	Approx 215mm	Approx 207mm
Effective Module Height (2)	Approx 158mm	Approx 168mm
Fitted Height (3)	Approx 18mm	Approx 27mm
Weight	Approx 1025g	Approx 1040g
Ground Clearance	Approx 1.5cm	Approx 1.5cm
Distal Connector	Integral 30mm tube receiver	Integral 30mm tube receiver
Swing Phase	Pneumatic	Pneumatic
Stance Phase	Adjustable stance geometry	Adjustable stance geometry
Axes	Polycentric	Polycentric
Flexion Angle without Socket	Approx 150°	Approx 150°
Maximum Patient Weight	125kg	125kg
Activity Level	2, (3)	2, (3)
Warranty	3 years	3 years



Spare Parts Ordering Information

	Threaded Adapter N1633121
	Stance Wedge Kit N1970970
	Pyramid Adapter Kit N1970863
	Laminating Adapter Kit N1970862
	Spare Knee Cover N1970763