

NOH7 / NKH7

The Össur NOH7/NKH7 is a polycentric knee unit which is geometrically locked at heel strike. At toe-off the knee unlocks to allow a smooth transition into the swing phase. This is controlled by a hydraulic unit with three valves, two controlling the flexion and the third controlling the extension. These are independently adjustable to suit a range of walking speeds.

The NOH7 is supplied with a male pyramid adapter to allow angular adjustment. The NKH7 comes with a laminating adapter, complete with adjustable alignment discs, making it particularly suitable for patients with very long residual limbs. The NOH7/NKH7 has the same mobility rating as the NOH5/NKH5, but some specification changes, allow an increase of the weight limit to 136kg.

NOH7

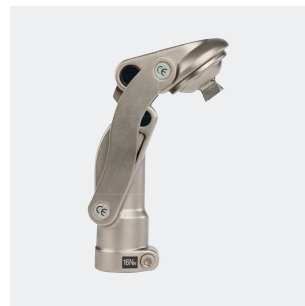


NKH7

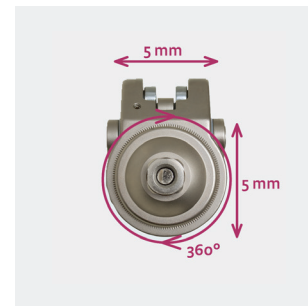


Features and Benefits

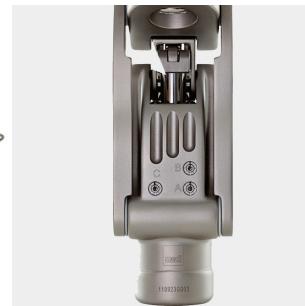
- Polycentric construction provides improved ground clearance in swing phase
- High stance stability, even when taking small steps, or sidestepping
- Smooth transition into a controlled and finely adjustable swing phase through two flexion valves and one extension valve
- Integral extension assist spring and needle roller bearings
- Unlimited rotation and 5mm of shift in any direction are possible with either version, as is 10° of angular adjustment, this being achieved on the NKH7 by means of a pair of wedge shaped rotatable discs
- Optional wedge to increase sensitivity at toe-off



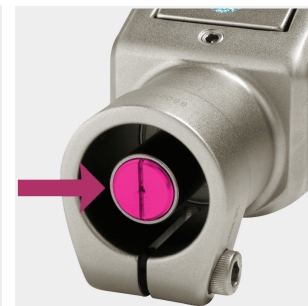
High knee flexion angle 150°



Unlimited rotation & 5mm of shift



Hydraulic swing phase control

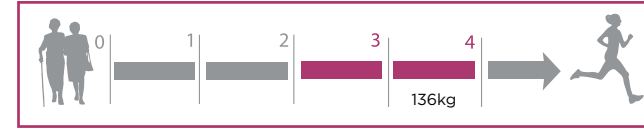


Integrated extension assist spring: The integrated extension assist spring is adjustable to suit individual requirements.

Ordering Information

Trial Period - There is no trial period on this knee, however please contact Customer Services or a Steeper Product Manager to enquire.

Mobility Class & Weight Limit

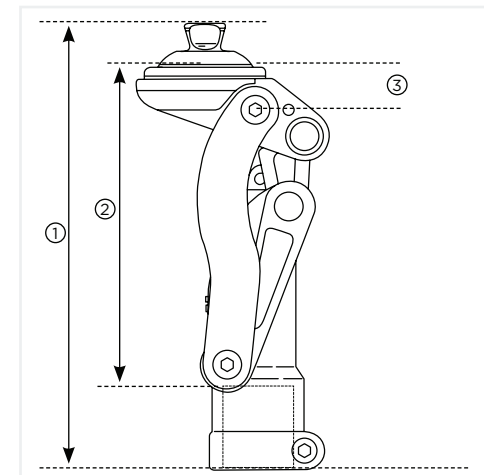


Part Number	Description
NOH7	Polycentric hydraulic knee joint with pyramid adapter
NKH7	Polycentric hydraulic knee joint with laminating adapter

Technical Information

	NOH7	NKH7
Material	Aluminium and Carbon	Aluminium and Carbon
Amputation Level	Transfemoral	Knee disarticulation, transfemoral
Total Fitted Height (1)	Approx 186mm	Approx 178mm
Effective Module Height (2)	Approx 134mm	Approx 143mm
Fitted Height (3)	Approx 19mm	Approx 28mm
Weight	Approx 930g	Approx 950g
Ground Clearance	Approx 1.2cm	Approx 1.2cm
Distal Connector	Integral 30mm tube receiver	Integral 30mm tube receiver
Swing Phase	Hydraulic	Hydraulic
Stance Phase	Adjustable stance geometry	Adjustable stance geometry
Axes	Polycentric	Polycentric
Flexion Angle without Socket	Approx 150°	Approx 150°
Maximum Patient Weight	136kg	136kg
Activity Level	3, 4	3, 4
Warranty	3 years	3 years

Knees - Össur - NOH7 / NKH7



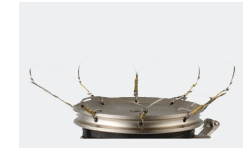
Spare Parts Ordering Information



Threaded Adapter
N1633121



Pyramid Adapter Kit
N1970863



Laminating Adapter Kit
N1970862