

## NOH5 / NKH5

The Össur NOH5 and NKH5 are polycentric knee units which are geometrically locked at heel strike. At toe-off the knee unlocks to allow a smooth transition into the swing phase. This is controlled by a hydraulic unit with three valves, two controlling the flexion and the third controlling the extension. These are independently adjustable to suit a range of walking speeds. The NOH5 is supplied with a male pyramid adapter to allow angular adjustment. The NKH5 comes with a laminating adapter, complete with adjustable alignment discs, making it particularly suitable for patients with very long residual limbs.

**CES OSS K05:** Read the NOH5/NKH5 clinical evaluation summary on the Steeper website.

### NOH5



### NKH5



### Features and Benefits

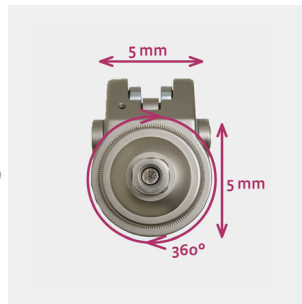
- Polycentric construction provides improved ground clearance in swing phase
- High stance stability, even when taking small steps, or sidestepping
- Smooth transition into a controlled and finely adjustable swing phase through two flexion valves and an extension valve
- Integral extension assist spring and needle roller bearings
- Unlimited rotation and 5mm of shift in any direction are possible with either version, as is 10° of angular adjustment, this being achieved on the NKH5 by means of a pair of wedge shaped rotatable discs



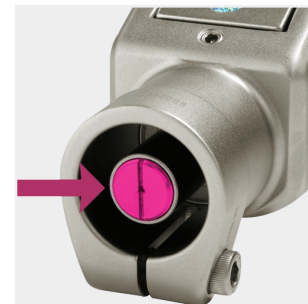
Hydraulic swing phase control



High knee flexion angle 150°



Unlimited rotation & 5mm of shift

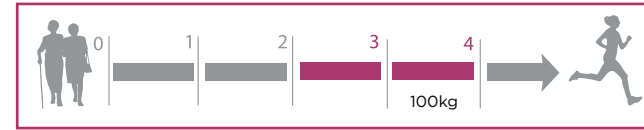


Integrated extension spring: The integrated extension assist spring is adjustable to suit individual requirements.

### Ordering Information

Trial Period - There is no trial period on this knee, however please contact Customer Services or a Steeper Product Manager to enquire.

#### Mobility Class & Weight Limit

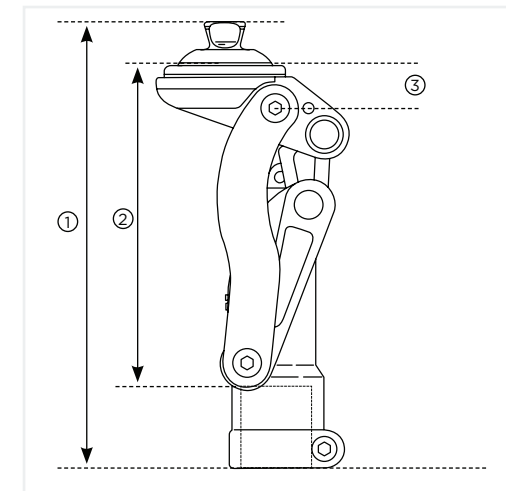


Part Number	Description
NOH5	Polycentric hydraulic knee joint with pyramid adapter
NKH5	Polycentric hydraulic knee joint with laminating adapter

### Technical Information

	NOH5	NKH5
Material	Aluminium	Aluminium
Amputation Level	Transfemoral	Knee disarticulation, transfemoral
Total Fitted Height (1)	Approx 158mm	Approx 150mm
Effective Module Height (2)	Approx 105mm	Approx 115mm
Fitted Height (3)	Approx 17mm	Approx 26mm
Weight	Approx 590g	Approx 600g
Ground Clearance	Approx 1.3cm	Approx 1.3cm
Distal Connector	Integral 30mm tube receiver	Integral 30mm tube receiver
Swing Phase	Hydraulic	Hydraulic
Stance Phase	Stable stance geometry	Stable stance geometry
Axes	Polycentric	Polycentric
Flexion Angle without Socket	Approx 150°	Approx 150°
Maximum Patient Weight	100kg	100kg
Activity Level	3,4	3,4
Warranty	3 years	3 years

## Knees - Össur - NOH5 / NKH5



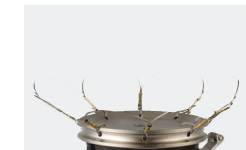
### Spare Parts Ordering Information



Threaded Adapter  
N1633121



Pyramid Adapter Kit  
N1970863



Laminating Adapter Kit  
N1970862