

Monolock NOFMO

The lightweight and compact Monolock NOFMO has been introduced by Össur to meet the needs of those patients who only require a semi-automatic locking unit.

The positive and audible locking mechanism will give patients the confidence to know that, once fully extended, the knee will be secure, but without the complication of applying a toe load to the prosthesis, or unduly offloading it in order to unlock the knee when they wish to sit down. These features make sitting and standing and back to sitting, a much safer procedure, whilst still providing absolute security when walking.

CES OSS KOO: Read the Monolock NOFMO clinical evaluation summary on the Steeper website.

Features and Benefits

- Lightweight and robust with a low overall build height
- Automatic lock activates in extension, with an audible click on locking
- Simple pull-up lever allows the knee to unlock easily without needing to offload, for easy transition from standing to sitting
- High flexion angle



Automatic lock activates in extension

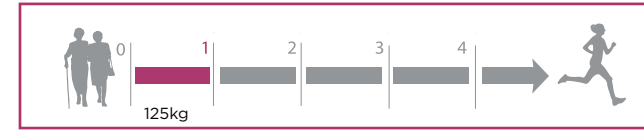
Simple pull-up lock lever extension



Ordering Information

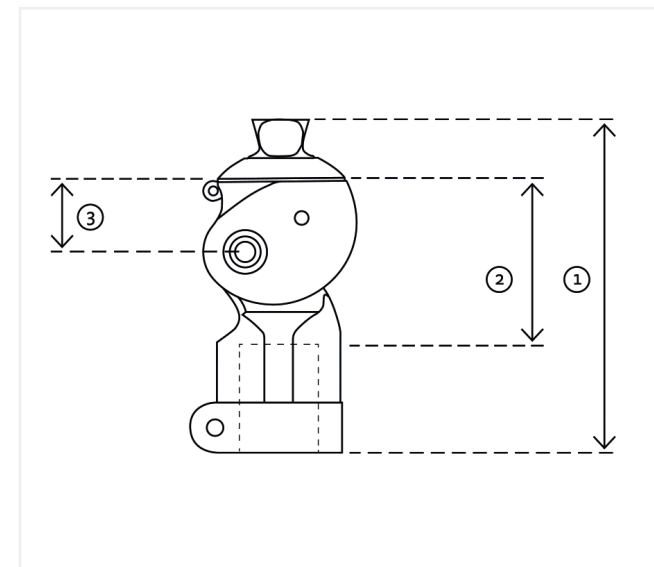
Trial Period - There is no trial period on this knee, however please contact Customer Services or a Steeper Product Manager to enquire.

Mobility Class & Weight Limit



Part Number	Description
NOFMO	Mechanical knee joint with lock

Technical Information



Material	Aluminium
Amputation Level	Transfemoral
Total Fitted Height (1)	Approx 100mm
Effective Module Height (2)	Approx 47mm
Fitted Height (3)	Approx 22mm
Weight	Approx 275g
Proximal Connector	Pyramid
Distal Connector	Integral 30mm tube receiver
Swing Phase	No swing phase control
Stance Phase	Locking
Axes	Monocentric
Flexion Angle without Socket	Approx 140°
Maximum Patient Weight	125kg
Activity Level	1
Warranty	3 years