

Trustep®

The highly developed, Trustep combines virtually the same vertical motion, rotation and stability found in the anatomical foot. Throughout the gait cycle, the bumpers compress to bring the toe and heel down at appropriate times; allowing the foot to maintain ground contact for firm footing.

The unique split-toe design that defines the Trustep provides up to 15mm of independent toe flex during normal use. With a full range of options available, Trustep's versatile design allows complete customisation, resulting in a natural gait pattern and unsurpassed comfort.

CES CPI F03: Use this code to read the Trustep clinical evaluation summary on the Steeper website.



Features and Benefits

- Tri-axial technology to adapt to uneven terrain
- Bumpers compress the toe and heel at appropriate times whilst providing cushioning and impact absorption
- Customisable bumpers for optimal control
- Anatomically designed foot shell with Spectra reinforcement

Cosmetics



Trustep patented Sealing Boot interlocks with the foot shell, keeping debris away from the foot

Foot shell

Ordering Information

Trial Period - This foot has a 30 day trial period.

Impact Level Descriptions

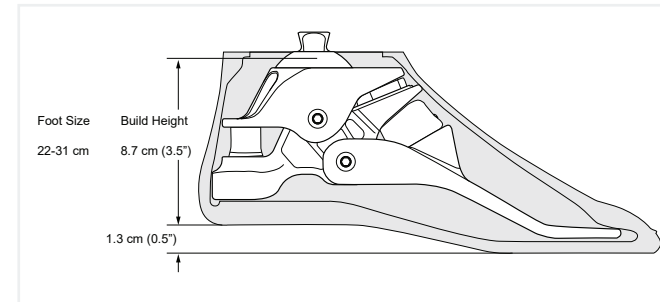
Low: Daily activities include mostly level ground walking, moving around in the home and the community.

Moderate: Daily activities include up to unlimited walking, climbing stairs and occasional moderate lifting (this does not include running).

High: Daily activities include fast walking, jogging, running, lifting heavy objects and/or recreational sports.

Trustep foot includes foot shell, CPI Sock and Sealing Boot. See order forms on page 36 to order.

Technical Information



Product Specification

| Mount | Weight Limit | Impact Level | Weight | Sizes (cm) | Build Height | Warranty |
|-----------|--------------|--------------|----------------|------------|-------------------|---|
| Endo (IP) | 136kg | LMH | 641g (Size 26) | 22-31 | 8.7cm (Endo IP) | 3 years (18 months over 136kg) Foot shell - 6 months |
| Exo (ALX) | 160kg | | | | 15.2cm (Endo ALX) | |

Spare Parts Ordering Information

| | | |
|--|----------------------|-------------|
| | Endo Ankle | Size |
| | NTS ENA 2224 | 22-24 |
| | NTS ENA 2531 | 25-31 |
| | Sealing Boot | Size |
| | NTS SB ■● 2224 | 22-24 |
| | NTS SB ■● 2526 | 25-26 |
| | NTS SB ■● 2730 | 27-30 |
| | Exo ALX Ankle | Size |
| | NTS ALXA 2224 | 22-24 |
| | NTS ALXA 2531 | 25-31 |
| | Heel | Size |
| | NTSMH 2224 | 22-24 |
| | NTSMH 2526 | 25-26 |
| | NTSMH 2731 | 27-31 |

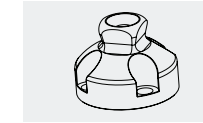
Also available in heavy duty version.

Feet - College Park - Trustep

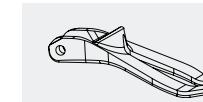


| ALX Kit | Size |
|----------------|-------|
| NTS XBK ■ 2224 | 22-24 |
| NTS XBK ■ 2526 | 25-26 |
| NTS XBK ■ 2731 | 27-31 |

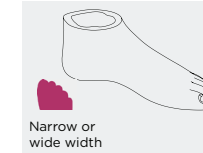
Includes Exo Block, Lamination Gasket and Mounting Bolt.



| Pyramid Tool Kit | Size |
|------------------|-------|
| NTS EXPK 30 | 22-31 |



| Forefoot | Size |
|-----------|-------|
| NTS FM ▲■ | 22-26 |
| NTS FL ▲■ | 27-31 |

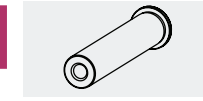


| Foot Shell | Size |
|-------------|-------|
| NTS S ■●▲ | 22-31 |
| NTS S ■●▲ W | 24-31 |

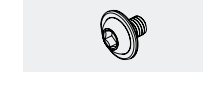
W = Wide



| CPI Sock | Size |
|-------------|-------|
| NSO SS 2126 | 21-26 |
| NSO SS 2730 | 27-30 |



| Axial Pin | Size |
|-----------|-------|
| NCP AP SH | 22-24 |
| NCP AP L | 25-31 |



| Axial Pin Screw | Size |
|-----------------|-------|
| NCP APS | 22-31 |



| Lower Bushing | Size |
|---------------|-------|
| NTS LB | 22-31 |

Spare Parts Ordering Guide

- = "L" or "R" for Left or Right
- = Colour (C = Caucasian, T = Tan, B = Brown, J = Jet Black)
- ▲ = Foot size in cm (21-31)

Shelltread - Ordering Information



| Shelltread | Size |
|------------|---------|
| NTST ■●▲ | 21-30cm |
| NTST ■●▲ W | 24-31cm |



- Shelltread Ordering Guide
- = "L" or "R" for Left or Right
 - = Colour (N = Neutral, J = Jet Black)
 - ▲ = Foot size in cm (21-31)
 - W = Wide