

Tribute®

The Tribute offers a cost effective option, providing stable footing and dependable performance on varied terrain and is ideal for low to moderate impact individuals. Precisely gait matched, the true multi-axial design and full-length toe lever provide the user with improved control and stability.

With true multi-axial movement occurring on all three planes, the Tribute provides anatomical plantar flexion, dorsiflexion, transverse rotation and inversion/eversion - allowing for ease of movement, excellent ground compliance and comfort.

CES CPI F02: Use this code to read the Tribute clinical evaluation summary on the Steeper website.

Features and Benefits

- Tri-axial technology to adapt to uneven terrain
- Full range of motion whilst maintaining ground contact
- Adjustable StrideControl
- Removable foot shell
- Easy assembly and disassembly with one pin



StrideControl™ adjuster



Dynamic response



Transverse rotation inversion-eversion

Cosmetics



CAP



Foot shell



Ordering Information

Trial Period - This foot has a 30 day trial period.

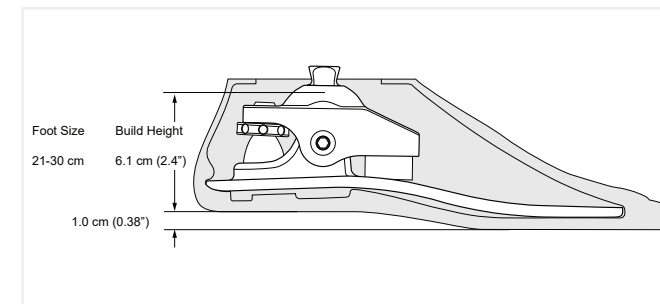
Impact Level Descriptions

Low: Daily activities include mostly level ground walking, moving around in the home and the community.

Moderate: Daily activities include up to unlimited walking, climbing stairs and occasional moderate lifting (this does not include running).

Tribute foot includes foot shell, CPI Sock and Cosmetic Attachment Plate. See Order Forms on page 36 for additional ordering information.

Technical Information



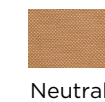
Product Specification

Mounting	Weight Limit	Sizes	Impact Level	Build Height (cm)	Weight	Warranty	Foot Shell
Endo (IP)	100kg	21-30cm	L M H	6.1	502g (Size 26cm including foot shell)	2 years Foot shell - 3 months	 Caucasian, Tan, Brown or Jet Black Standard, narrow or wide width

Sandal toe version available on request.

Shelltread - Ordering Information

Shelltread	Size
NVT ■ N ▲	21-30cm
NVT ■ N ▲ W	25-30cm



Neutral

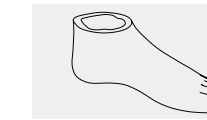
Shelltread Ordering Guide

- = "L" or "R" for Left or Right
- ▲ = Foot size in cm (21-30)
- W = Wide

Feet - College Park - Tribute

Spare Parts Ordering Information

Tribute® Endo IP



Foot Shell	Size
NV S ■ ● ▲	21-30
NV S ■ ● ▲ W	21-30

W = Wide



CPI Sock	Size
NV SS 2124	21-24
NV SS 2526	25-26
NV SS 2730	27-30



CAP	Size
NV C ■ ● 2124	21-24
NV C ■ ● 2526	25-26
NV C ■ ● 2730	27-30



Foreheel	Size
NT FH ■ ▲	21-30

Spare Parts Ordering Guide

- = "L" or "R" for Left or Right
- = Colour (C = Caucasian, T = Tan, B = Brown, J = Jet Black)
- ▲ = Foot size in cm (21-30)