

Trés®

The Trés foot is a cost effective, maintenance free option for moderate activity patients.

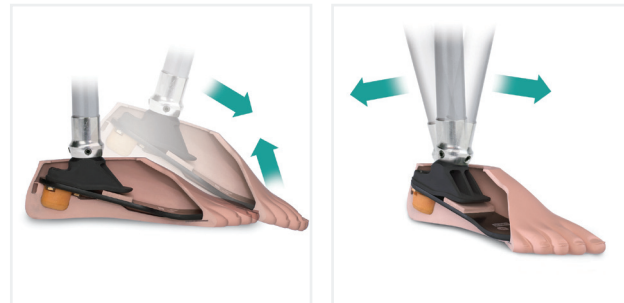
By incorporating a full-length toe lever and soft components to provide inversion / eversion, this dynamic response foot helps restore function at an affordable price.

The integral sandal toe foot shell is anatomically designed for an attractive, natural appearance and is reinforced with Impact Dispersion Technology™ (IDT).

CES CP F 01: Use this code to read the Trés clinical evaluation summary on the Steeper website.

Features and Benefits

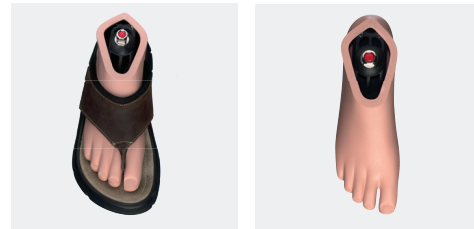
- Lightweight
- Natural appearance
- Integrated foot shell without sock
- Sandal toe



Dynamic response

Inversion-eversion

Cosmetics



Integral sandal toe foot shell



Ordering Information

Trial Period - This foot has a 30 day trial period.

Impact Level Descriptions

Low: Daily activities include mostly level ground walking, moving around in the home and the community.

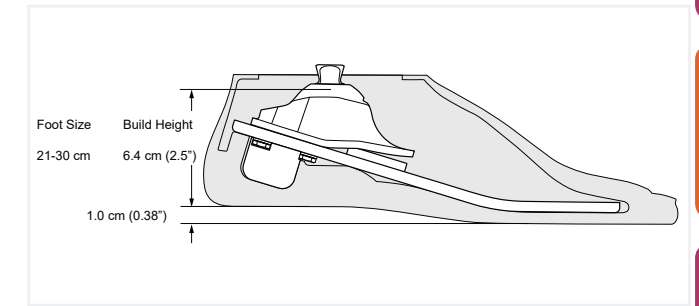
Moderate: Daily activities include up to unlimited walking, climbing stairs and occasional moderate lifting (this does not include running).

Endo IP - NTE ■ ● EN ▲ ● Integrated Pyramid

- - L or R for Left or Right
- - Colour of Cosmesis (C = Caucasian, T = Tan, B = Brown)
- ▲ - Foot Size in cm (21-30)
- - Stiffness (S = Soft-yellow, M = Medium-red, F = Firm-blue, XF = Extra Firm-black, 2X = 2X Firm-green)

Trés® feet can be ordered by completing the ordering information above or by using order forms on page 36.

Technical Information



Note: Très® Feet are gait matched at College Park Industries before shipping, and cannot be modified.

See Gait Matching table below to determine appropriate stiffness for individual patient specifications.

Product Specification

Mounting	Weight Limit	Sizes	Impact Level	Build Height (cm)	Weight	Warranty	Foot Shell
Endo (IP)	136kg (21-24cm) 150kg (25-30cm)	21-30cm	L M H	6.4	403g (Size 24cm) 500g (Size 26cm)	1 year	C T B Caucasian, Tan or Brown Standard width

Gait Match

Impact Level	Component	Weight (kg)					
		Size 21-24cm					
		0-54	55-63	64-72	73-81	82-100	101-136
Low	Firmness / Button Colour	S	S	M	M	F	XF
Moderate	Firmness / Button Colour	S	M	M	F	F	XF

Impact Level	Component	Weight (kg)							
		Size 25-30cm							
		0-54	55-63	64-72	73-81	82-100	101-125	126-136	137-150
Low	Firmness / Button Colour	S	S	M	M	F	XF	XF	2X
Moderate	Firmness / Button Colour	S	M	M	F	F	XF	2X	2X

Shelltread - Ordering Information

Shelltread	Size
NCST ■ N ▲	21-30cm



Neutral

Shelltread Ordering Guide

- = "L" or "R" for Left or Right
- ▲ = Foot size in cm (21-30)