

Runway™

The Runway foot offers an adjustable heel allowing the user to vary the heel height from a flat heel, for walking barefoot, up to a 50mm heel for dress shoes. Its anatomical gliding ankle maintains appropriate foot alignment to provide knee stability and consistent performance at all heel heights.

By incorporating carbon fibre layers that are tailored to an individual's body weight and impact level, the Runway provides a customised product for superior comfort.

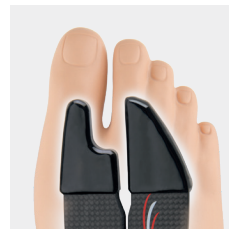
Features and Benefits

- Push button or Hex Key adjustment
- Anatomical 'gliding' ankle design ensures that alignment remains consistent, for smooth gait at all heel heights
- Carbon fibre design provides energy return
- Available in 6 stiffness categories
- Sandal toe foot shell as standard
- Safe for occasional contact with water, but not intentional, frequent contact or submersion. After contact with salt or chlorinated water, feet should be rinsed/cleaned.



Runway HX Note: The HX version allows adjustment of the heel height by means of a Hex Key in the back of the ankle, whereas the push button version provides incremental adjustment.

Cosmetics



Sandal toe supplied as standard



Ordering Information

Trial Period - This foot has a 30 day trial period - only on sizes 23-28 and categories 2-7.

Impact Level Descriptions

Moderate: Daily activities include up to unlimited walking, climbing stairs and occasional moderate lifting (this does not include running).

High: Daily activities include fast walking, jogging, running, lifting heavy objects and/or recreational sports.

Note: Although the 'high' impact level states 'running' as an appropriate activity, the Runway foot is not recommended for running.

Ordering Example Runway - NRS2526SL

Part Number	Category	Size	Sandal Toe	Left / Right
NRS2	5	26	S	L

Ordering Example Runway HX- NRS2K526SL

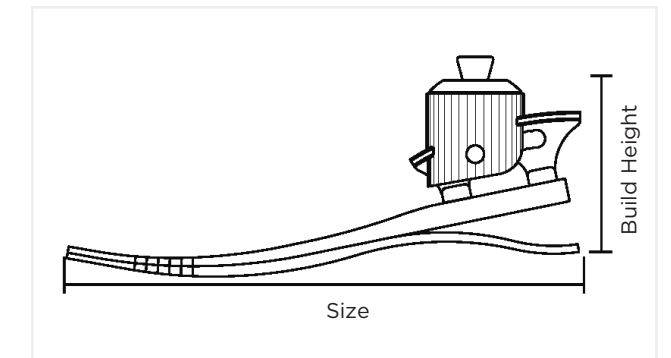
Part Number	Category	Size	Sandal Toe	Left / Right
NRS2K	5	26	S	L

Includes foot shell and Spectra® Sock

Category Selection

Weight (kg)	Impact Level		
	LOW	MOD	HIGH
44-52	1	1	2
53-59	1	2	3
60-68	2	3	4
69-77	3	4	5
78-88	4	5	6
89-100	5	6	
101-116	6		

Technical Information



Build Height and Weight

Size (cm)	Build Height (cm)	Foot inc. Shell
22-25	9.8	690g
26-28	10	792g

Product Specification

Weight Limit	Impact Level	Weight of Unit	Sizes (cm)	Build Height (cm)	Warranty
116kg		690g (Size 25)	22-28	9.8 (Size 25)	18 months Foot shell - 6 months

Spare Parts Ordering Information

Part Number	Foot Shell Type
NFTC-3M-1 ▲ ● 4-R	Standard, without CAP
NFTC-2M-1 ▲ ● 4-S	Sandal Toe, without CAP

Foot Shell Ordering Guide

- ▲ = Size in cm (22-28)
- = Skin Tone (L = Light, M = Medium, D = Dark)
- = "L" or "R" for Left or Right

Spectra® Sock	Size (cm)	Sock Size (cm)
NSO-NPS-X0025-00	22-23	25
NSO-NPS-X0030-00	24-26	30
NSO-NPS-X0035-00	27-28	35

X denotes colour. Insert 1 for white, or 2 for black. **Note:** Default colour is black

Bumper Kit	Size (cm)
NKIT-00-11313-00	22-25
NKIT-00-11314-00	26-28