

Odyssey® K3

The Odyssey K3 utilises the patented curved hydraulic ankle in addition to a higher frequency carbon fibre foot base for increased dynamic response. The robust ankle housing and angular positioning is specifically designed to support moderate activity users who vary terrain and speed regularly.

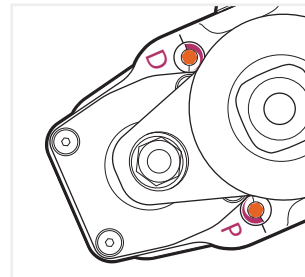
The combination of smooth hydraulics and a dynamic foot base increases ground contact, reducing socket interface pressures and enhancing knee stability. The Odyssey K3 provides exceptional performance during a wide variety of activities such as city walking or multi-terrain hiking.

Features and Benefits

- Low-profile, curved hydraulic ankle
- Robust ankle housing combined with a carbon composite keel and angular positioning designed for moderate impact users
- Easily accessible, independently adjustable hydraulic valves for tuning in clinic
- 12° of smooth hydraulic motion (3° dorsiflexion, 9° plantarflexion)



One pivot angle



Customisable Stride Control®

Cosmetics



Anatomically designed foot shell



Ordering Information

Trial Period - This foot has a 30 day trial period.

Impact Level Descriptions

Low: Daily activities include mostly level ground walking, moving around the home and the community.

Moderate: Daily activities include up to unlimited walking, climbing stairs and occasional moderate lifting (this does not include running).

| Part Number | |
|-------------|----------------------|
| Left | NODK3-L ■ EN- ● -G ▲ |
| Right | NODK3-R ■ EN- ● -G ▲ |

- - Colour of Cosmesis (C = Caucasian, B = Brown, T = Tan)
- - Foot Size in cm (21-30)
- ▲ - Firmness Category (1-5)

| Weight (kg) | Firmness Category | |
|-------------|-------------------|-----------------|
| | Low Impact | Moderate Impact |
| 0-63 | 1 | 2 |
| 64-81 | 2 | 3 |
| 82-100 | 3 | 4 |
| 101-125 | 4 | 5 |

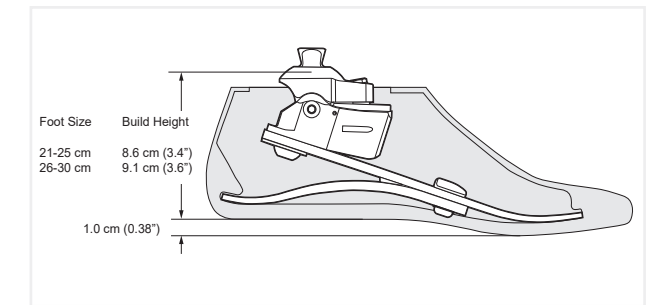
Product Specification

| Mounting | Weight Limit | Sizes | Weight of Unit |
|-----------|--------------|---------|----------------|
| Endo (IP) | 125kg | 21-30cm | 750g |

| Impact Level | Build Height | Warranty | Foot Shell |
|--------------|--------------|-------------------------------------|--|
| L M H | 8.6-9.1cm | 3 years Foot shell - 6 months | C T B Caucasian, Tan or Brown Standard width |

Feet - College Park - Odyssey K3

Technical Information



Spare Parts Ordering Information



| Foot Shell | Size (cm) |
|--------------|-----------|
| NHZ-S ■ ● -▲ | 21-30 |



| Shelltread | Size (cm) |
|-------------|-----------|
| NHZ-T ■ N-▲ | 21-30 |



Neutral

- = "L" or "R" for Left or Right
- = Colour (C = Caucasian, T = Tan, B = Brown)
- ▲ = Foot size in cm (21-30)



| CPI Spectra Sock | Size (cm) |
|------------------|------------------|
| NHZ-SS-2125 | 21-25cm |
| NHZ-SS-2630 | 26-30cm |
| NHZ-SSK-2125 | 21-25cm (6 pack) |
| NHZ-SSK-2630 | 26-30cm (6 pack) |