

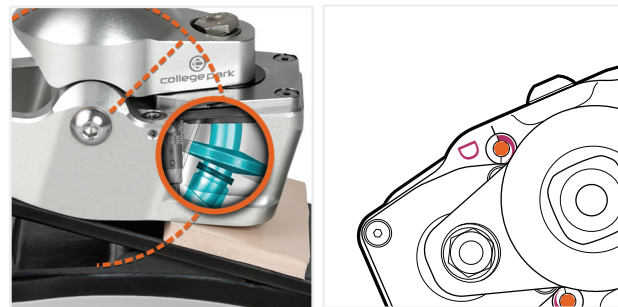
# Odyssey® K2

Odyssey K2 enables the user to walk well and negotiate everyday obstacles such as stairs, curbs and uneven surfaces. The unique, curved hydraulic cylinder combined with dual StrideControl™ and the IntelliWeave™ keel of this foot improves the user's posture, knee stability and comfort, especially when negotiating slopes.

**CES CPI F14:** Use this code to read the Odyssey K2 clinical evaluation summary on the Steeper website.

## Features and Benefits

- Curved hydraulic ankle to increase ground contact, reduce socket pressures and enhance knee stability
- IntelliWeave composite foot base provides controlled energy and a flexible heel
- 12 degrees of smooth hydraulic motion
- Independently adjustable hydraulic valves for in-clinic tuning
- One pivot point for smooth gait cycle and longer life span - fewer moving parts result in less potential wear



One pivot point

Independently adjustable hydraulic valves

## Cosmetics



Foot shell is anatomically designed



## Ordering Information

Trial Period - This foot has a 30 day trial period.

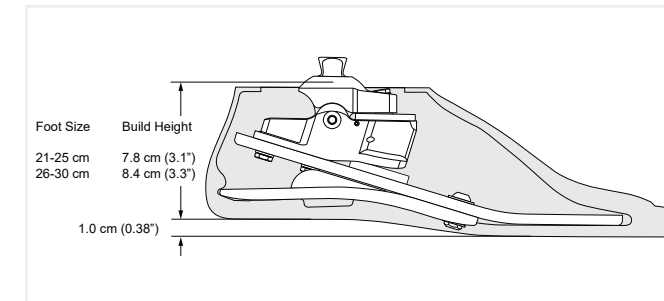
### Impact Level Descriptions

**Low:** Daily activities include mostly level ground walking, moving around in the home and the community.

Ordering Information	
Part Number	
NOK2	■●EN▲● Integrated Pyramid

- - L or R for Left or Right
- - Colour of Cosmesis (C = Caucasian, B = Brown, T = Tan)
- ▲ - Foot Size in cm (21-30)
- - Firmness (S = Soft-yellow, M = Medium-red, F = Firm-blue, XF = Extra Firm-black)

## Technical Information



## Product Specification

Mounting	Weight Limit	Sizes	Build Height (cm)	Weight	Impact Level	Warranty	Foot Shell
Endo (IP)	100kg (21-24cm) 136kg (25-30cm)	21-30cm	7.8 (21-24cm) 8.4 (25-30)	744g (Size 26cm including foot shell and CPI sock)	L M H	2 years Foot shell - 6 months	C T B Caucasian, Tan or Brown Standard width

## Gait Match

Impact Level	Component	Weight (kg)			
		Size 21-30cm		Size 25-30cm	
		0-63 Soft	64-81 Medium	82-100 Firm	101-136 Extra Firm
Low	Firmness / Button Colour	S	M	F	XF

## Shelltread - Ordering Information

Shelltread	Size
NCST ■ N ▲	21-30cm



Neutral

- Shelltread Ordering Guide
- = "L" or "R" for Left or Right
  - ▲ = Foot size in cm (21-30)

# Feet - College Park - Odyssey K2

## Spare Parts Ordering Information

Foot Shell	Size
NCSS ■●▲	21-30

CPI Sock	Size
NV SS 2124	21-24
NV SS 2526	25-26
NV SS 2730	27-30

### Spare Parts Ordering Guide

- = "L" or "R" for Left or Right
- = Colour (C = Caucasian, T = Tan, B = Brown)
- ▲ = Foot size in cm (21-30)