

# Kintrol

The Kintrol Foot/Ankle system combines an innovative hydraulic system with fibreglass technology, to provide flexibility and stability for low K2 ambulators.

The full fibreglass keel provides increased coronal motion for additional balance, and a progressive ankle stop for increased ground contact. The hydraulic ankle has 2° dorsiflexion and 10° plantarflexion, and an active dorsi-assist spring to aid in toe clearance during swing phase.

Use of hydraulic ankles can influence socket interface forces, making this an ideal solution for transtibial applications, whilst transfemoral patients can benefit from improved knee stability.

## Features and Benefits

- Independently adjustable DF and PF settings for a customisable experience, which can be adjusted by the clinician without having to remove the foot shell
- Dorsi-assist spring aids ground clearance in swing phase
- Progressive ankle stop for increased ground contact and better balance
- Stiffening heel bumpers in four categories included, to enhance balance and provide stability
- High-quality aerospace-grade fibreglass to enable flexibility in the foot for a comfortable, smooth rollover

## Cosmetics



Mid profile foot shell

Sandal toe: sizes 23-28 only



## Ordering Information

Trial Period - This foot has a 30 day trial period on sizes 23-30 and categories 2-4.

### Impact Level Descriptions

**Low:** Daily activities include mostly level ground walking, moving around in the home and the community.

### Ordering Example - NVS4426L\*

Part Number	Category	Size	Left / Right
NVS4	4	26	L

### Sandal Toe Ordering Example - NVS4426SL\*

Part Number	Category	Size	Sandal Toe	Left / Right
NVS4	4	26	S	L

\*Includes foot shell and Spectra' Sock

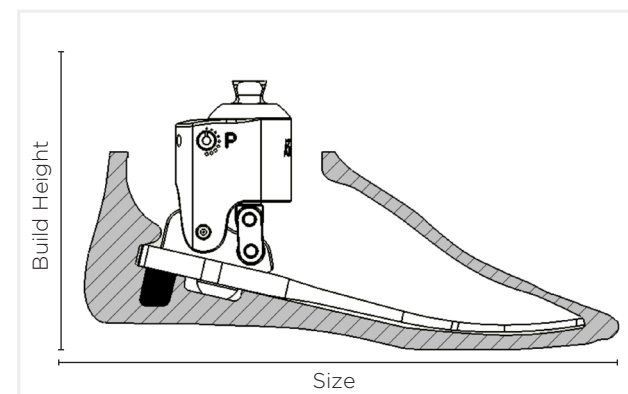
### Impact Level (Low)

Weight (kg)	Category
45-59	1
60-81	2
82-109	3
110-136	4

## Product Specification

Weight Limit	Impact Level	Sizes (cm)	Warranty
136kg	L M H	23-30	2 years Foot shell - 6 months

## Technical Information



### Build Height and Weight

Size (cm)	Build Height (cm)	Foot inc. Shell
23-25	11	859g
26-28	11.2	953g
29-30	11.2	1063g

## Spare Parts Ordering Information



Part Number	Foot Shell Type
NFTC-3M-0▲●4-R	Standard, with CAP
NFTC-3M-1▲●4-R	Standard, without CAP
NFTC-2H-1▲●4-R	High-profile, without CAP
NFTC-2M-1▲●4-S	Sandal Toe, without CAP

### Spare Parts Ordering Guide

- ▲ = Size in cm (22-31 = Regular, 22-28 = Sandal Toe)
- = Skin Tone (L = Light, M = Medium, D = Dark)
- = "L" or "R" for Left or Right



Stiffening Bumpers (Category 1-4)		
Part number	Size	
NKIT-00-11443-00	23-25cm	
NKIT-00-11444-00	26-28cm	
NKIT-00-11445-00	29-30cm	

Spectra' Sock	Size (cm)	Sock Size (cm)
NSO-NPS-X0025-00	23-25	25
NSO-NPS-X0030-00	26-28	30
NSO-NPS-X0035-00	29-30	35

X denotes colour. Insert 1 for white, or 2 for black. **Note:** Default colour is black

### Foot Shell Removal Tool

NACC-00-10300-00