

This foot, like the Accent IP, allows users to adjust the heel height up to 5cm with a simple push of a button, giving them complete control over their footwear choices in a low-maintenance package.

A cosmetically appealing foot, the Accent DP is provided with a contoured, soft ankle fairing that locks into the shell and prevents cosmetic buckling when the foot is adjusted at various heights.

This version uses an integrated dynamic pylon to provide a dynamic response, making it a great choice for a vast array of low to moderate intensity activities.

CES CPI F05: Use this code to read the Accent DP clinical evaluation summary on the Steeper website.

Features and Benefits

- Integrated dynamic pylon
- User adjustable heel height up to 5cm range
- Easy to operate height adjustment button
- Ankle fairing provides superior cosmetic finishing
- Suitable for a range of shoe styles



Accommodates various heel heights



Heel height adjustment button
Available on Medial or Lateral Side

Cosmetics



Sandal toe



Ankle fairing



Ordering Information

Trial Period - This foot has a 30 day trial period.

Impact Level Descriptions

Low: Daily activities include mostly level ground walking, moving around the home and the community.

Moderate: Daily activities include up to unlimited walking, climbing stairs and occasional moderate lifting (this does not include running).

Ordering Example: NAC-LCDFM-26W-G2

Part ID	Side	Shell Colour	Mounting	Button Placement	Size	Width*	Firmness Category
NAC	L						G
NAC	R						G

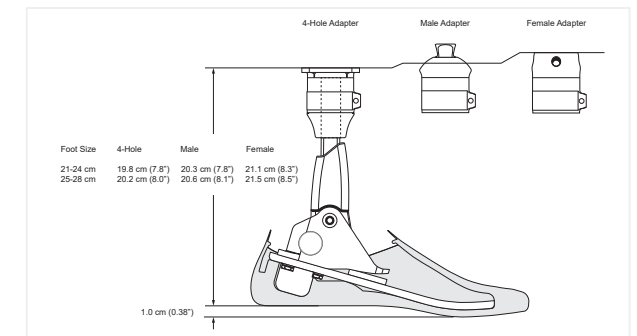
Caucasian	C	Dynamic Pylon & Receiver	DF	Medial	M	21-28cm	Narrow	N	1-3
Brown	B	Dynamic Pylon & Adapter	DM	Lateral	L		Wide* 23-26cm only	W	
		Dynamic Pylon & 4-hole	D4						

Includes DP cutting tool, ankle fairing and dynamic pylon adapter attachment option selected.

Firmness Category						
Weight (kg)	0-54	55-63	64-72	73-81	82-100	101-113
Size (cm)	21-28					25-28
Low Impact	1	1	2	2	3	3
Moderate Impact	1	2	2	3	3	3

Product Specification

Mounting	Sizes	Weight Limit	Weight of Unit
Dynamic Pylon (DP)	21-24cm	100kg	681g Size 24 inc. foot shell
	25-28cm	113kg	761g Size 26 inc. foot shell
Build Height	Impact Level	Warranty	Foot Shell
19.8-21.5cm		2 years	Caucasian or Brown Narrow or Wide width



Dynamic Pylon Adapter Maximum Clearance			
	4-Hole	Male	Female
25-28 cm	40.3 cm	40.7 cm	41.5 cm
21-24 cm	39.8 cm	40.3 cm	41.1 cm

Dynamic Pylon Adapter Minimum Clearance			
	4-Hole	Male	Female
25-28 cm	20.2 cm	20.6 cm	21.5 cm
21-24 cm	19.8 cm	20.3 cm	21.1 cm

See Next Page for More Spare Parts Information

Accent® DP

Spare Parts Ordering Information

Mounting Adapters	Description
NDP-SA-2124	DP Sleeve Adapter, 21-24cm
NDP-SA-2530	DP Sleeve Adapter, 25-30cm
NDP-ESAS-2124	DP Extension Adapter, Short, 6mm, 21-24cm
NDP-ESAS-2530	DP Extension Adapter, Short, 6mm, 25-30cm
NDP-ESAL-2124	DP Extension Adapter, Long, 25mm, 21-24cm
NDP-ESAL-2530	DP Extension Adapter, Long, 25mm, 25-30cm
NDP-FPA-2124	DP Female Pylon Adapter, 21-24cm
NDP-FPA-2530	DP Female Pylon Adapter, 25-30cm
NDP-MPA-2124	DP Male Pylon Adapter, 21-24cm
NDP-MPA-2530	DP Male Pylon Adapter, 25-30cm
NDP-4HPA-2124	DP 4-Hole Pylon Adapter, 21-24cm
NDP-4HPA-2530	DP 4-Hole Pylon Adapter, 25-30cm

Shelltread	Size (cm)
NAC-T ■ N-▲N	21-28
NAC-T ■ N-▲W	23-26



- = "L" or "R" for Left or Right
- ▲ = Foot size in cm (21-28)
- N = Narrow, W = Wide



Neutral

Ankle Fairing	Description
NAC-F ■ C-2124	Caucasian, 21-24cm
NAC-F ■ C-2526	Caucasian, 25-26cm
NAC-F ■ C-2728	Caucasian, 27-28cm
NAC-F ■ B-2124	Brown, 21-24cm
NAC-F ■ B-2526	Brown, 25-26cm
NAC-F ■ B-2728	Brown, 27-28cm

- = "L" or "R" for Left or Right

