

Catapult™ Running

The Catapult foot represents the most significant advancement in prosthetic running foot technology in decades. This foot enables runners and sprinters to experience technology that advances energy return, allowing them to run further and faster, with less effort. Integrating the revolutionary PowerSpring into the proven C-spring design maximises energy storage allowing 30% greater energy return for improved performance, whilst enhancing comfort.

CES FRE F08: Use this code to read the Catapult clinical evaluation summary on the Steeper website.

Features and Benefits

- Dual spring technology increases the amount of energy stored and optimises the timing of its release, providing up to 30% greater energy return
- Energy propulsion allows users to expend less energy in a more stable and balanced design
- Pyramid attachment facilitates alignment changes and the use of a single prosthetic socket for all activities
- Enhanced user customisation with interchangeable soft, medium and firm PowerSprings supplied with each foot



Ordering Information

Trial Period - There is a trial period on this foot, however there are restrictions. Please speak to a Steeper Product Manager for more information.

Impact Level Descriptions

High: Daily activities include fast walking, jogging, running, lifting heavy objects and/or recreational sports.

Note: Although a 'high' impact rated foot, the Catapult Running foot is an activity-specific foot and is intended for running exclusively.

For category selection, please see the below indications:

- Jogger (1): Occasional to frequent recreational running
- Runner (2): Frequent distance running and training for endurance races
- Sprinter (3): Competitive short distance track sprinting

Ordering Example - NFX61

Part Number	Category	Size	Left / Right
NFX6	1	N/A	N/A

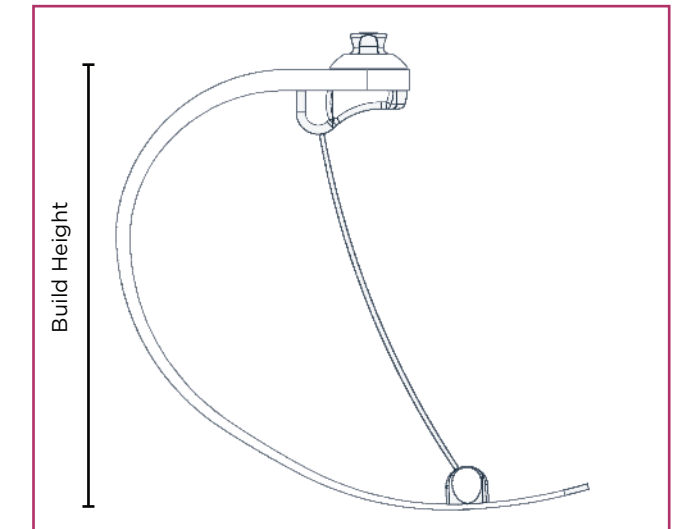
Ordering Example - NFX74

Part Number	Category	Size	Left / Right
NFX7	4	N/A	N/A

Category Selection

Weight (kg)	NFX6		NFX7
	Jogger (1)	Runner (2)	Sprinter (3)
44-52	1	2	4
53-59	2	3	5
60-68	3	4	6
69-77	4	5	7
78-88	5	6	8
89-100	6	7	9
101-116	7	8	
117-130	8	9	
131-147	9	10	
148-166	10		

Technical Information



Build Height and Weight

Size	Build Height	Foot inc. Shell
NFX6 / NFX7	24.1cm	510g

Product Specification

Weight Limit	Impact Level	Warranty
166kg		1 year