

Accent® DP

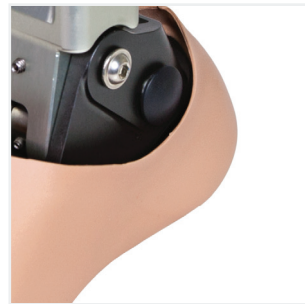
The Accent DP provides a maintenance free option for individuals who desire a cosmetically appealing prosthetic foot with an easy to adjust heel height control to fit their daily needs. This version comes with an integrated Dynamic Pylon to give increased compliance and dynamic response to meet with an array of low to moderate activities.

CES CPI F05: Use this code to read the Accent DP clinical evaluation summary on the Steeper website.



Features and Benefits

- Integrated dynamic pylon
- User adjustable heel height with 5cm range
- Easy to operate height adjustment button
- Ankle fairing provides superior cosmetic finishing
- Maintenance free



Height adjustment button



Dynamic pylon

Cosmetics

The Accent DP's bonded sandal toe foot shell is reinforced with Impact Dispersion Technology™. The ankle fairing interlocks with the foot shell and conforms to both endo and dynamic pylons. The foot shell and ankle fairing are anatomically designed for use with a skin to produce a natural-like finish.



Sandal toe



Ankle fairing

Ordering Information

Trial Period - This foot has a 30 day trial period.

Impact Level Descriptions

Low: Daily activities include mostly level ground walking, moving around in the home and the community.

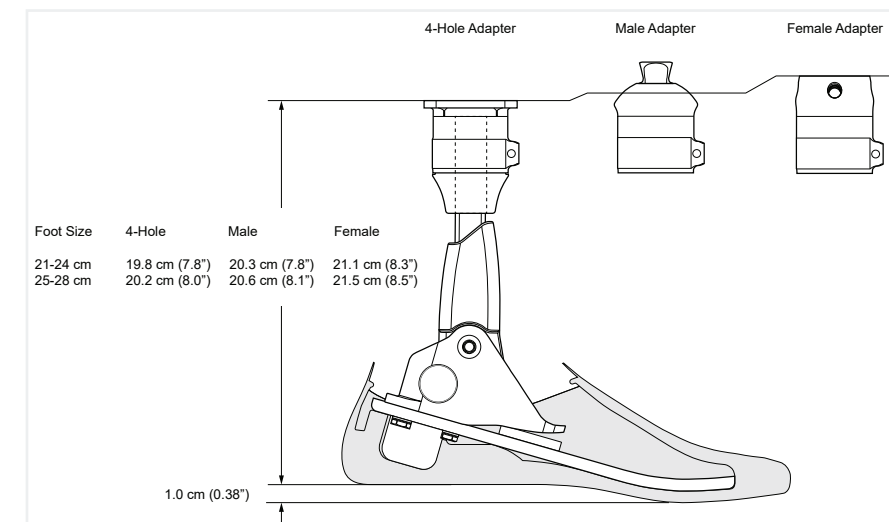
Moderate: Daily activities include up to unlimited walking, climbing stairs and occasional moderate lifting (this does not include running).

Accent DP foot includes DP cutting tool, ankle fairing and the dynamic pylon adapter attachment option selected. Wider versions are also available from size 23-28cm. See order forms on page 37 for additional ordering information.

Product Specification

Mounting	Weight Limit	Impact Level	Weight of Unit	Sizes (cm)	Build Height (cm)	Warranty	Foot Shell
Dynamic Pylon (DP)	100kg		681g (size 24)	21-24	19.8-21.1	2 years	Caucasian or Brown Narrow or wide width
Dynamic Pylon (DP)	114kg		761g (size 26)	25-28	20.2-21.5	2 years	Caucasian or Brown Narrow or wide width

Technical Information



Dynamic Pylon Adapter Maximum Clearance

	4-Hole	Male	Female
25-28 cm	40.3 cm	40.7 cm	41.5 cm
21-24 cm	39.8 cm	40.3 cm	41.1 cm

Dynamic Pylon Adapter Minimum Clearance

	4-Hole	Male	Female
25-28 cm	20.2 cm	20.6 cm	21.5 cm
21-24 cm	19.8 cm	20.3 cm	21.1 cm

Feet - College Park - Accent DP

Shelltread - Ordering Information

	Shelltread	Size
	NACT	21-28cm
	NACT	23-28cm

Shelltread Ordering Guide
 = "L" or "R" for Left or Right
 = Foot size in cm (21-28)
 = Wide



Neutral