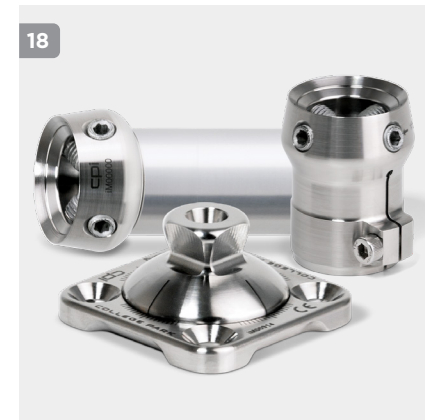
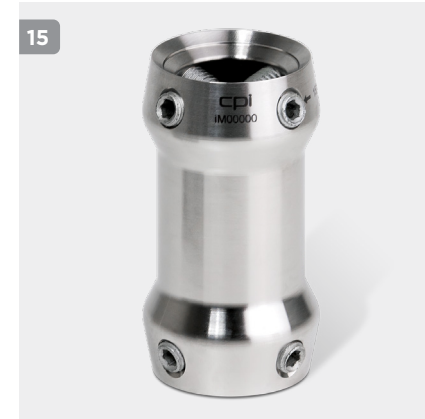
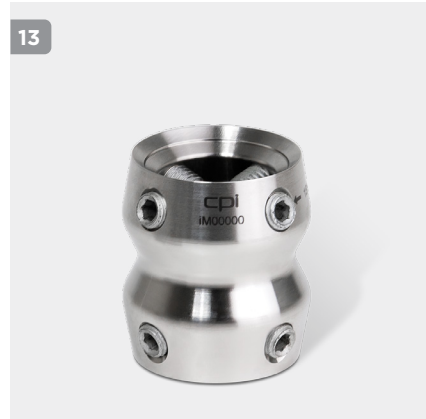


Weight Limit Note: Please note that when ordering components from different ranges for the same limb build, the lowest rated component becomes the maximum weight limit.

| Titanium College Park Structural Components | | | | |
|---|--------------|-------------|--|-------|
| Part Number | Manufacturer | Description | Weight Limit | |
| 1 | N4HPR-T | CP | 4-Hole Pyramid Receiver, Standard | 136kg |
| 2 | N4HPRR-T | CP | 4-Hole Pyramid Receiver, Rotatable | 136kg |
| 3 | N4HPA-T | CP | 4-Hole Pyramid Adapter, Standard | 136kg |
| 4 | N4HPAR-T | CP | 4-Hole Pyramid Adapter, Rotatable | 136kg |
| 5 | N4HPA-AO-T | CP | 4-Hole Pyramid Offset, Axial (Offset by 7mm) | 136kg |
| 6 | N4HPA-DO-T | CP | 4-Hole Pyramid Offset, Diagonal (Offset by 7mm) | 136kg |
| 7 | N4HPH-T | CP | 4-Hole Pyramid Adapter with Pin-Lock Hole | 136kg |
| 8 | N4HPHR-T | CP | 4-Hole Pyramid Adapter with Pin-Lock Hole, Rotatable | 136kg |
| 9 | NTA-T250-30 | CP | Low-Profile Tube Adapter, 250mm, 30mm diameter | 136kg |
| 10 | NTA-T430-30 | CP | Low-Profile Tube Adapter, 430mm, 30mm diameter | 136kg |
| 11 | NTC-T-30 | CP | Tube Clamp, 30mm diameter | 136kg |
| 12 | NDR-T35 | CP | Double-Ended Adapter, 35mm | 136kg |

Manufacturer: CP = College Park



Weight Limit Note: Please note that when ordering components from different ranges for the same limb build, the lowest rated component becomes the maximum weight limit.

Titanium College Park Structural Components

| Part Number | Manufacturer | Description | Weight Limit | |
|-------------|--------------|-------------|--|-------|
| 13 | NDR-T45 | CP | Double-Ended Adapter, 45mm | 136kg |
| 14 | NDR-T60 | CP | Double-Ended Adapter, 60mm | 136kg |
| 15 | NDR-T75 | CP | Double-Ended Adapter, 75mm | 136kg |
| 16 | NTI-TTK-PA | CP | Transtibial Kit with Pyramid Adapter (30mm Tube Adapter - 250mm length, 30mm Tube Clamp, 4-Hole Pyramid Adapter) | 136kg |
| 17 | NTI-TTK-PAH | CP | Transtibial Kit with Pyramid Adapter and Pin-Lock Hole (30mm Tube Adapter - 250mm length, 30mm Tube Clamp, 4-Hole Pyramid Adapter with Pin-Lock Hole) | 136kg |
| 18 | NTI-TTK-PAR | CP | Transtibial Kit with Rotatable Pyramid Adapter (30mm Tube Adapter - 250mm length, 30mm Tube Clamp, 4-Hole Rotatable Pyramid Adapter) | 136kg |
| 19 | NTI-TTK-PHR | CP | Transtibial Kit with Rotatable Pyramid Adapter and Pin-Lock Hole (30mm Tube Adapter - 250mm length, 30mm Tube Clamp, 4-Hole Rotatable Pyramid Adapter with Pin-Lock Hole) | 136kg |
| 20 | NTI-TFK-PA | CP | Transfemoral Kit with Pyramid Adapter (30mm Tube Adapter - 430mm length, 30mm Tube Clamp, 4-Hole Pyramid Adapter) | 136kg |
| 21 | NTI-TFK-PAH | CP | Transfemoral Kit with Pyramid Adapter and Pin-Lock Hole (30mm Tube Adapter - 430mm length, 30mm Tube Clamp, 4-Hole Pyramid Adapter with Pin-Lock Hole) | 136kg |
| 22 | NTI-TFK-PAR | CP | Transfemoral Kit with Rotatable Pyramid Adapter (30mm Tube Adapter - 430mm length, 30mm Tube Clamp, 4-Hole Rotatable Pyramid Adapter) | 136kg |
| 23 | NTI-TFK-PHR | CP | Transfemoral Kit with Rotatable Pyramid Adapter and Pin-Lock Hole (30mm Tube Adapter - 430mm length, 30mm Tube Clamp, 4-Hole Rotatable Pyramid Adapter with Pin-Lock Hole) | 136kg |

Manufacturer: CP = College Park